

# Temperature sensor W14

With connection cable // for SolarTemp 850 // 0...600 °C



## Highlights

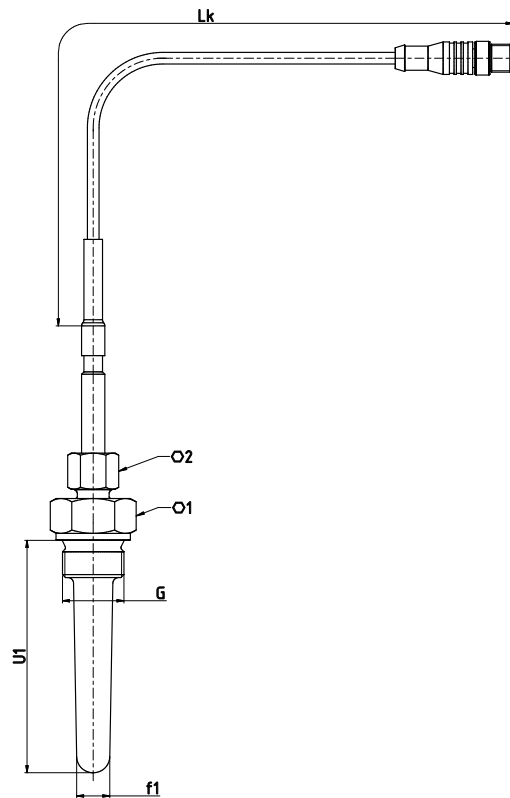
- For exhaust gas temperature measurement in diesel and gas engines → Up to 600 °C media temperature
- Very high vibration resistance → Reliable and long-lasting operation
- Extremely resistant connecting cable → Enables use in harsh environments

Technical data	
<b>Type</b>	Temperature sensor with connection cable for SolarTemp 850
<b>Measuring range</b>	0...600 °C
<b>Measuring medium</b>	Exhaust gases marine diesel engines
<b>Immersion tube length</b>	100...200 mm
<b>Immersion tube diameter</b>	14, 17 or 20 mm conical
<b>Process connection</b>	G½, G¾, or M33 x 2
<b>Nominal pressure</b>	PN 25
<b>Medium temperature</b>	0...600 °C
<b>Ambient temperature</b>	-40...85 °C
<b>Storage temperature</b>	-25...70 °C
<b>Degree of protection according to EN 60529</b>	IP54
<b>Approvals</b>	
DNV	

Electrical data	
<b>Measuring element</b>	1 x Pt1000 / 2-wire / Class B 2 x Pt1000 / 2-wire / Class B
<b>Measuring insert</b>	Interchangeable
<b>Accuracy</b>	Class B / $\pm(0.30 \text{ K} + 0.005 \times \text{T})$
<b>Electrical connection</b>	FEP cable, wire braided

# Technical drawing / Dimensions

W14



All dimensions in mm

Dimensions [mm]					
Type	U1	Ø1	Ø2	G	f1
W14	100, 150 or 200	27, 32 or 41	19	G <sup>3</sup> / <sub>4</sub> A, G <sup>1</sup> / <sub>2</sub> A, M33x2	Ø 14, Ø 17 or Ø 20

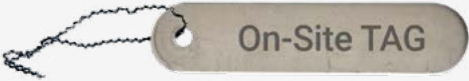
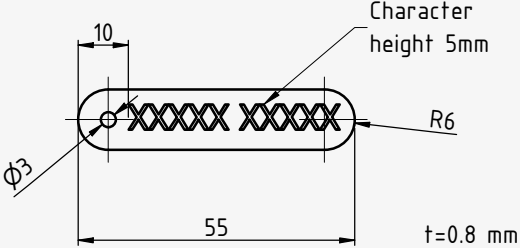
## Materials

Materials	
In contact with media	
Process connection	Stainless steel 1.4571 or steel 1.7335
Protection tube	Stainless steel 1.4571 or steel 1.7335

# Article numbers

Order code									
<b>Type</b>									
Resistance thermometer	W								
<b>Diameter f1</b>									
14 / 17 mm conical up to 150 mm	14								
17 / 23 mm conical up to 150 mm	17								
20 / 23 mm conical from 150 mm	20								
<b>Material</b>									
Stainless steel 1.4571 (max. 450 °C)		3							
Steel 1.7335, heat resistant (max. 600 °C)		5							
<b>Sensor element</b>									
2 x Pt1000 2-wire / Class B			P53						
1 x Pt1000 2-wire / Class B			P54						
<b>Nominal length U1</b>									
100 mm				100					
150 mm				150					
200 mm				200					
<b>Measuring insert</b>									
Interchangeable						2			
<b>Electrical connection</b>									
M12 x 1, FEP cable							38		
<b>Process connection G</b>									
G½								2	
G¾								3	
M33 x 2								F	
<b>Cable length Lk</b>									
2.0 m									03
3.0 m									05
5.0 m									09
<b>Example order number</b>									
	W	14	3	P53	100	2	38	2	03

# Accessories

Accessories	Order number
<p><b>Measuring point designation</b> Laser-inscribed stainless steel plate with fixing wire for easy attachment to measuring points</p> <ul style="list-style-type: none"><li>→ <b>Scope of delivery:</b> Designation plate inscribed according to specification and enclosed fixing wire (sealing wire)</li><li>→ <b>Fastening:</b> Wire (included in delivery), alternatively sealing, cable ties or similar (not included in delivery)</li><li>→ <b>Materials:</b> Plate stainless steel 1.4571, wire stainless steel</li><li>→ <b>Dimensions:</b> Plate 55 x 10 x 0.8 mm, wire length 180 mm</li><li>→ <b>Inscription:</b> one-sided, single-line, max. 11 characters, character height 5 mm, designation width max. 40 mm, letters, numbers, symbols, barcodes, QR codes</li><li>→ <b>Transmission of designations:</b> digital list, file formats Excel, Word or CSV</li></ul>  	<p><b>ONSITETAG</b></p>