

AIIS-3410P (PoE) AIIS-3410U (USB 3.0)

Compact Vision System, Supports
Intel® 6th generation Core i CPU, 4-CH
Camera Interface for GigE PoE or USB 3.0



Features

- Intel® 6th generation Core i CPU (LGA1151)
 - Powered device auto detection and classification
 - IEEE 802.3af compliant, supports IEEE 1588
 - Compatible with GigE cameras
- AIIS-3410U: 4-CH USB 3.0 with dedicated controller
 - Maximize the USB3.0 bandwidth for multi-cameras
 - Compatible with USB 3.0 cameras
- Compact & thoughtful design
 - PCIe or PCI extension compatibility
 - Isolated Digital I/O
 - Internal USB 2.0 connector

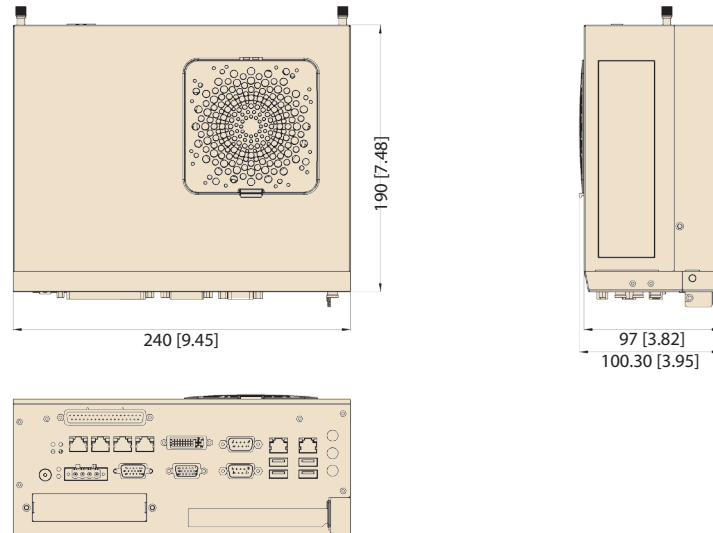
Specifications

Processor System	CPU	i7-6700	i7-6700TE	i5-6500	i5-6500TE	i3-6100	i3-6100TE	G4400	G4400TE	G3900	G3900TE	
	Core	4	4	4	4	2	2	2	2	2	2	
	Base Frequency	3.4 GHz	2.4 GHz	3.2 GHz	2.3 GHz	3.7 GHz	2.7 GHz	3.3 GHz	2.9 GHz	2.8 GHz	2.6 GHz	
	L3 Cache	8 MB	8 MB	6 MB	6 MB	4 MB	4 MB	3 MB	3 MB	2 MB	2 MB	
	Chipset	H110										
	BIOS	AMI 128Mb SPI Flash										
Memory	Technology	Dual Channel DDR4 1866/2133 MHz (non-ECC)										
	Max. Capacity	32 GB (16 GB per DIMM)										
	Socket	260-pin SO-DIMM x 2										
Graphics	Chipset Integrated	Integrated Intel HD Graphics										
Ethernet	Interface	10/100/1000 Mbps										
	Controller	LAN1: Intel i219LM, LAN2: Intel i210AT (Both support Wake on LAN)										
Camera Interface PoE (AIIS-3410P)	Controller	CH1 ~ CH4: Intel i210										
	Compliant	IEEE 802.3af										
	Power Output	15W per channel / 30W for 1 & 2 channel (Note: selected by BIOS)										
Camera Interface USB 3.0 (AIIS-3410U)	Controller	CH1 ~ CH4: μ PD720202										
	Compliant	USB 3.0										
	Power Output	4.5W per Channel										
Storage	Internal 2.5" HDD Bay	1 (max. 9.5 mm height)										
	CFast	1										
Expansions	PCIe/PCI	1 (depend on Riser card) (PCIe x16 slot with x8 signal)										
	miniPCIe	1 (USB2.0/SATA)										
	Idoor	1										
Front I/O	Display	VGA + DVI-D										
	USB	4 USB3.0										
	Serial	2 (RS-232/422/485, via BIOS setting ; RS-485 support auto-flow control)										
	Isolated DIO (Default)	4 DI and 4 DO Channels AIIS-E730-AE (16-CH DI, 16-CH DO) High output driving capacity (500 mA max./channel) Interrupt capable for all 16 DI channel										
	Isolated DIO (Optional)	Supports 3-30 V _{DC} isolated input channel Dry/Wet contact support High-voltage isolation on output channels (2,500 V _{DC})										
	Internal Connector	USB	1 USB 2.0 connector									
Watchdog Timer	Output	System reset										
	Interval	Programmable 1 ~ 255 sec/min										
Power Requirement	Power Type	ATX/AT										
	Power Input Voltage	19 V _{DC} ~ 24 V _{DC} (\pm 10%)										
	Minimum Power Input	DC 19-24V @ 8-6.3A										
	Power Adapter	AC to DC, DC24V/9.16A, 220W (Optional)										
Cooling	System Fan	1 (8 cm/57 CFM)										
Miscellaneous	LED Indicators	Power, HDD, temperature										
	Control	Power on/off switch										
Environment	Temperature	Operating 0 ~ 45 °C (32 ~ 113 °F)*							Non-operating -40 ~ 70 °C (-40 ~ 158 °F)			
	Humidity	10 ~ 95% @ 40 °C, non-condensing										
	Vibration	0.5Grms, random, 5-500Hz, 3 axes, 1 hr/axis							2G, sine wave, 5-500Hz, 3 axes, 1 hr/axis			
	Shock	10G, half sine wave, 11 ms duration										
Physical Characteristics	Dimension (W x H x D)	240 x 97 x 190 mm (9.45" x 3.82" x 7.48")										
	Weight	2.4 kg (5.29 lb) (w/o CPU cooler)										

* Depend on CPU

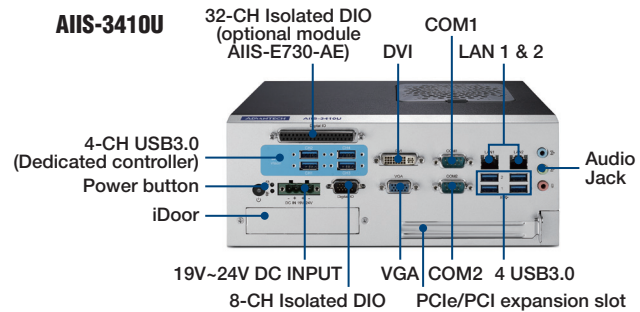
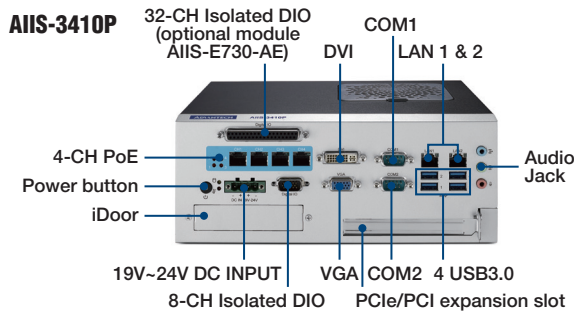
AIIS-3410P (PoE) AIIS-3410U (USB 3.0)

Dimensions



Unit: mm [inch]

Front View



Ordering Information

Part Number	Camera Interface	Display	USB 3.0	Isolated DIO	COM 232/422/485	Expansion slot
AIIS-3410P-00A1E	4-CH GigE PoE	VGA+DVI-D	4	8-CH	2	1 PCIe x8 or 1 PCI
AIIS-3410U-00A1E	4-CH USB 3.0	VGA+DVI-D	4	8-CH	2	1 PCIe x8 or 1 PCI

Packing List

Items	Part Number	Quantity
Bare System	AIIS-3410	1
Startup manual (EN/CN)	2001341000	1
Startup manual (TC)	2001341010	1
Driver CD	2061340000	1
Wallmount Bracket	1960014487T006	2
Hole Protector	1990022908S000	4
CPU Cooler	1960060620N001	1
4-pin Phoenix DC power connector	1652003234	1
2-pin Phoenix DC power connector	1652002205	1

Optional Accessories

Part Number	Description
96PSA-A220W24P4-1	220Watt DC24 Adapter
1702002600	Power cord 3-pin UL/CSA (USA) 125 V 10A 1.83 M 180D
1700022940-01	Power cord PSE 7A 125 V 3P 3 m DAC-ST01
1702002605	Power cord 2P (France) 10A/16A 220 V 1.83 M 90D
1700023217-01	8-CH DIO Cable for Wiring Board
ADAM-3925-AE	8-CH DIO DB-25 Wiring Terminal, DIN-rail Mount
AIIS-DIO32-00A1E	Isolated DIO module, 32-CH, 9-pin USB interface
AIIS-E730-AE	Isolated DIO module, 32-CH, MIO with PCIe1 interface
PCL-10137-1E	32-CH DIO Cable 1M for Wiring Terminal
ADAM-3937-BE	32-CH DIO DB-37 Wiring Terminal, DIN-rail Mount
9891341010E	PCI riser module for additional PCI card

Note: If there is no 19-24Vdc source in your facility, this adapter is required to power on the system

i-Door Module (MOS series module)

Supports i-Door module (MOS series) excluding PoE
Please refer to Advantech's website via the link provided below or search "iDoor module mini PCIe expansion kit".
http://www.advantech.com.tw/products/idoor-module-mini-pcieexpansion-kit/sub_bc858a7f-a52b-441b-a59c-f511289f98bc

i-Door Module (PCM series module)

Supports i-Door module (PCM series) excluding PoE
Please refer to Advantech's website via the link provided below.
http://www.advantech.com/products/idoor-technology-mini-pcieexpansion-kit/sub_efdb96af-a8f7-4cde-9592-dbf5c9794d16

Note: The PCM series i-Door module requires a bracket (P/N: 1960065854N001 iDoor_bracket) for installation.