

ITA-1711

Intel® Celeron™ J1900 Fanless Compact System with Multiple COM Ports and Dual Displays



Features

- Built-in Intel® Celeron™ J1900 quad-core processor, 2.0 GHz
- Fanless, compact system design
- 4 GB of DDR3 memory onboard with optional NVRAM
- 2 x LAN, 6 x USB, 14 x COM, and 1 x USB 3.0 ports
- Replaceable secondary display (VGA 2/DVI-D/LVDS)
- Supports dual outputs of full HD resolution video
- Serial ports support RS-232/422/485 with automatic flow control
- Supports up to 48 digital I/O (24 inputs and 24 outputs)

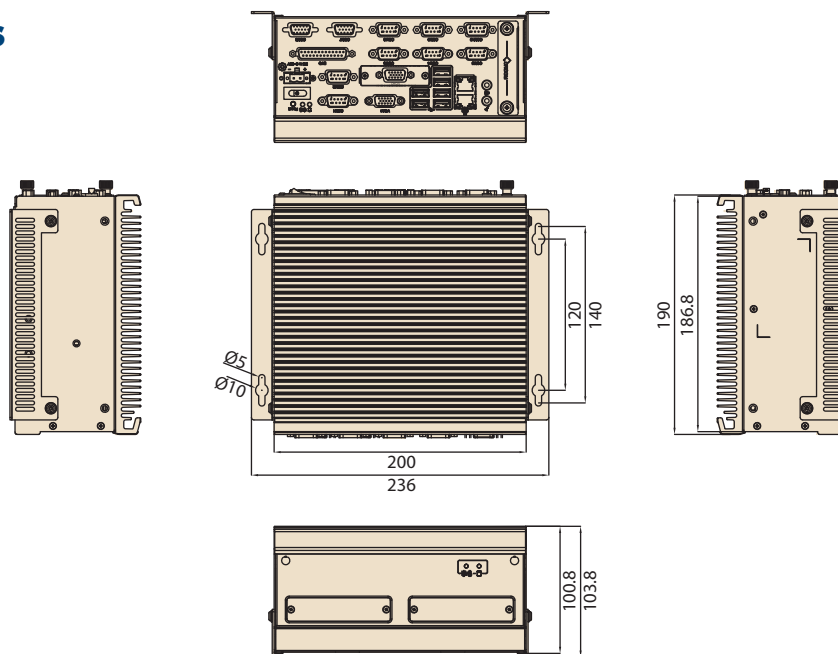


System Specifications

Processor System	CPU	Intel® Celeron™ J1900		
	Max Speed	2.0 GHz		
	L2 Cache	2 MB		
	Core Quantity	4		
	BIOS	AMI® SPI 64 Mb		
Memory	Technology	Dual-channel DDR3 1333		
	Capacity	Onboard 4 GB (up to 8 GB with SODIMM)		
Graphics	Chipset	Embedded Intel® Gen 7 Graphics		
	VRAM	Shared system memory up to 256 MB SDRAM		
	Dual Display	2 x VGA/VGA + DVI-D/VGA + LVDS		
		Single channel maximum: 1920 x 1080 @ 60 Hz Dual channel maximum: 1920 x 1080 @ 60 Hz		
LVDS (optional)	Supports 18/24-bit dual channel, up to 1920 x 1080 @ 60 Hz			
Ethernet	Interface	10/100/1000 Mbps		
	Controller	2 x Intel® I211		
	Connector	2 x RJ-45		
Storage	NVRAM	1 Mb FRAM (optional)		
	Internal	1 x mSATA socket Supports 1 x 2.5" HDD/SSD (optional)		
	External	1 x Easy swap SATA slim/CompactFlash module		
I/O Interface	Main Display	VGA 1		
	Secondary Display	VGA 2/DVI-D/LVDS		
	LAN	2		
	USB	6 (5 x USB 2.0, 1 x USB 3.0)		
	COM	10 x RS 232/422/485 ports with automatic flow control (up to 14 ports, supports 4 additional optional RS-232 serial ports)		
	Digital I/O	1 x 24-bit GPIO (48-bit GPIO optional)		
	Audio	1 x Speaker-out with 2 x 4W amplifier, 1 x Mic-in		
Reserved Area (front panel)	1 (LPT, DIO2, PS/2 optional)			
Expansion Slots	Mini PCIe	1		
Power	Input Voltage	9 ~ 36 V DC		
	Output	System reset		
Watchdog Timer	Interval	Programmable 1~255 sec/min		
	Environment	Temperature	Operating (w/o HDD)	Operating (with HDD)
-25 ~ 60 °C			0 ~ 40 °C	-40 ~ 85 °C
Physical Characteristics	Dimensions (W x H x D)	200 x 100.8 x 190 mm (7.87" x 3.96" x 7.47")/236 x 103.8 x 190 mm (9.28" x 4.08" x 7.47") with mounting kits		

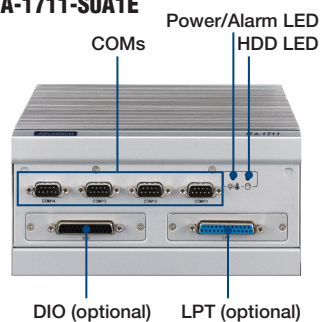
Dimensions

Unit: mm

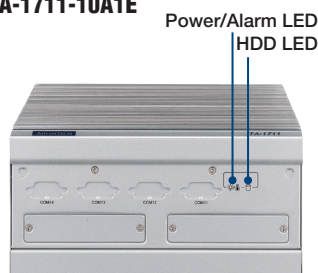


Front View

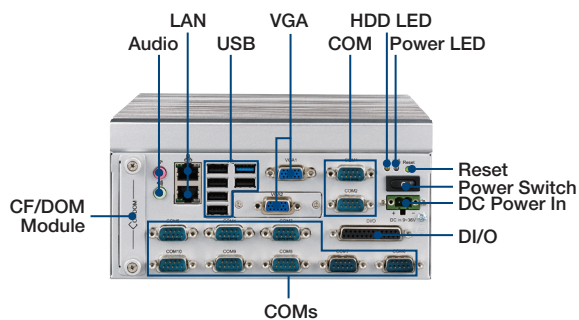
ITA-1711-S0A1E



ITA-1711-10A1E



Rear View



Ordering Information

Part Number	CPU	Onboard Memory	Display	COM	D/O	GbE LAN	USB	CF Tray
ITA-1711-00A1E	J1900	4 GB DDR3	VGA+DVI	10	24 bit	2	6	Yes
ITA-1711-10A1E	J1900	4 GB DDR3	VGA*2	10	24 bit	2	6	Yes
ITA-1711-20A1E	J1900	4 GB DDR3	VGA+LVDS	10	24 bit	2	6	Yes
ITA-1711-S0A1E	J1900	4 GB DDR3	VGA+DVI	14	48 bit	2	6	Yes

Packing List

Part Number	Description	Quantity
2001171100	Startup menu (CH)	1
2001171110	Startup menu (CH)	1
2062171010	CD-ROM	1
1960054855N001	HDD bracket part 1	1
1960065108N001	HDD bracket part 2	1
1700009409	HDD SATA cable	1
1700017839	HDD power cable	1
1990021361N000	HDD thermal pad 1	1
1990021362N000	HDD thermal pad 2	1
1960052263T001	Mounting bracket	2
1652002205	Plug-in connector	1

Optional Accessories

Part Number	Description
PCA-5650-00A1E	Mini PCIe VGA card
96PSA-A60W12P2-1	Adapter 100-240V 60W 12V
1700000596-11	Power cord (China) CCC, 10A 250V, 3P, 1.83 M
1702002600-01	Power cord UL/CSA (USA) 125V 10A, 3P, 1.83 M
1700023534-01	Power cord (UK) 13A, 250V, 3P, 1.83 M
1702002605-01	Power cord (EU) 10A/16A, 250V, 3P, 1.83 M
1700020061-11	PS/2 Cable (front panel)
1960057419N011	DI/O bracket (front panel)
1960057419N001	LPT bracket (front panel)
1960057418N001	VGA bracket (front panel)