



MWS 3,4-12

12V 3,4 Ah

Batteries **MW Power** series **MW-S** are designed mainly for use in control panels charging systems . Thanks to profitable quality/ price relation, the batteries MW-S gained recognition of many clients. The batteries of this type can also be used as a source of charging in portable devices. Service life is 3-5 years for 20-25 °C .

Compliance with standards

PN-EN 60896-21:2007
 PN-EN 60896-22:2007
 PN-EN 61056-1:2008
 PN-EN 61056-2:2003(U)
 PN-E-83016:1999



Specification

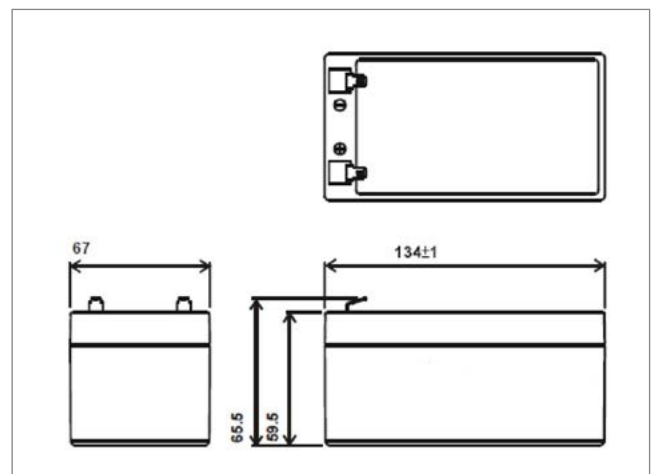
Nominal voltage	12 V	
Nominal capacity	3,4 Ah	
Dimensions	Lenght	134 mm
	Width	67 mm
	Height	60 mm
	Total height	66 mm
Weight	1,30 kg	

Characteristic

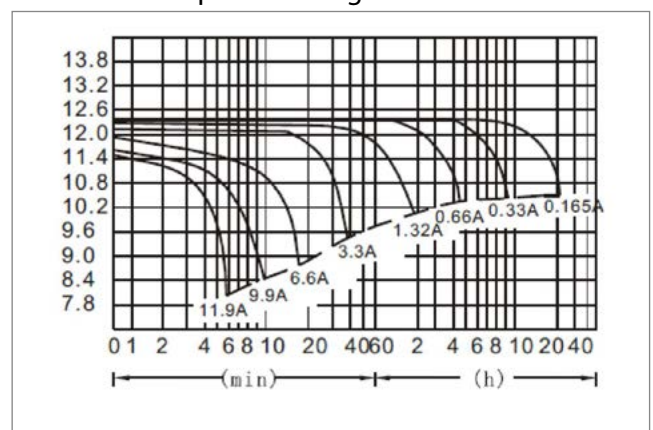
Capacity for 25 °C and cut-off voltage 10.5 V	20h	3,4 Ah
	10h	3,0 Ah
	5h	2,6 Ah
Internal Resistance	charged battery	46 mΩ
	for 20°	100 %
	for 0°C	85 %
Capacity	for -15°C	65 %
	3 m-ths	91 %
Self-discharge	6 m-ths	82 %
	12 m-ths	64 %
Terminal	Fast-on 187 (T1)	
Charging	Standby use	13,50-13,80V
	Cyclic use	14,40-15,00V
Max. charge current	0,95A	
Max. discharge current	35 A (5 sec.)	

Temperatures of work:
 Discharging: -20°C ÷ 50°C
 Charging: -20°C ÷ 50°C
 Storage: -20°C ÷ 50°C

Dimensions



Input-discharge at 25 °C



Terminal

